

FIG. 1A  
PRIOR ART

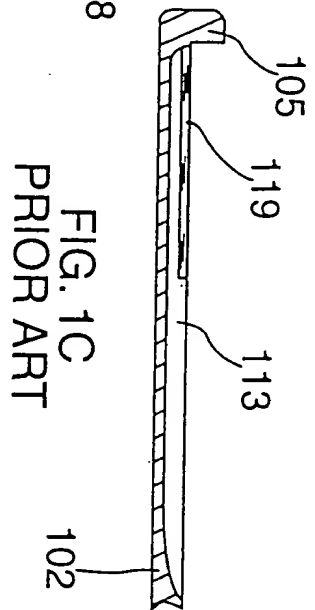


FIG. 1C  
PRIOR ART

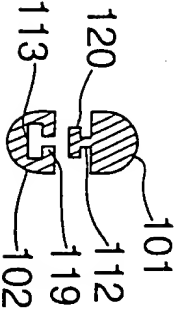


FIG. 1B  
PRIOR ART

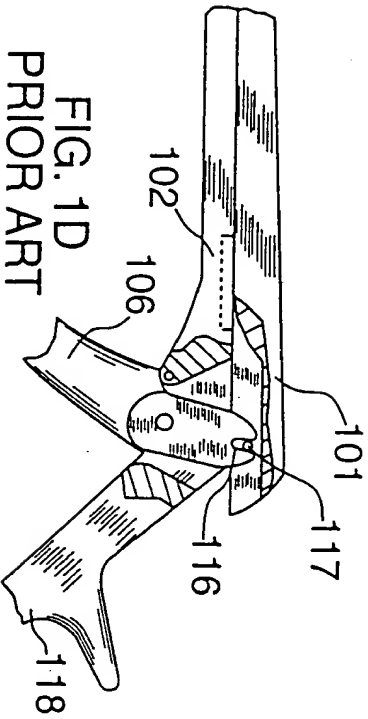


FIG. 1D  
PRIOR ART

APPROVED	BY	DRAFTSMAN
CLASS	CLASS	CLASS
FIG.	FIG.	FIG.

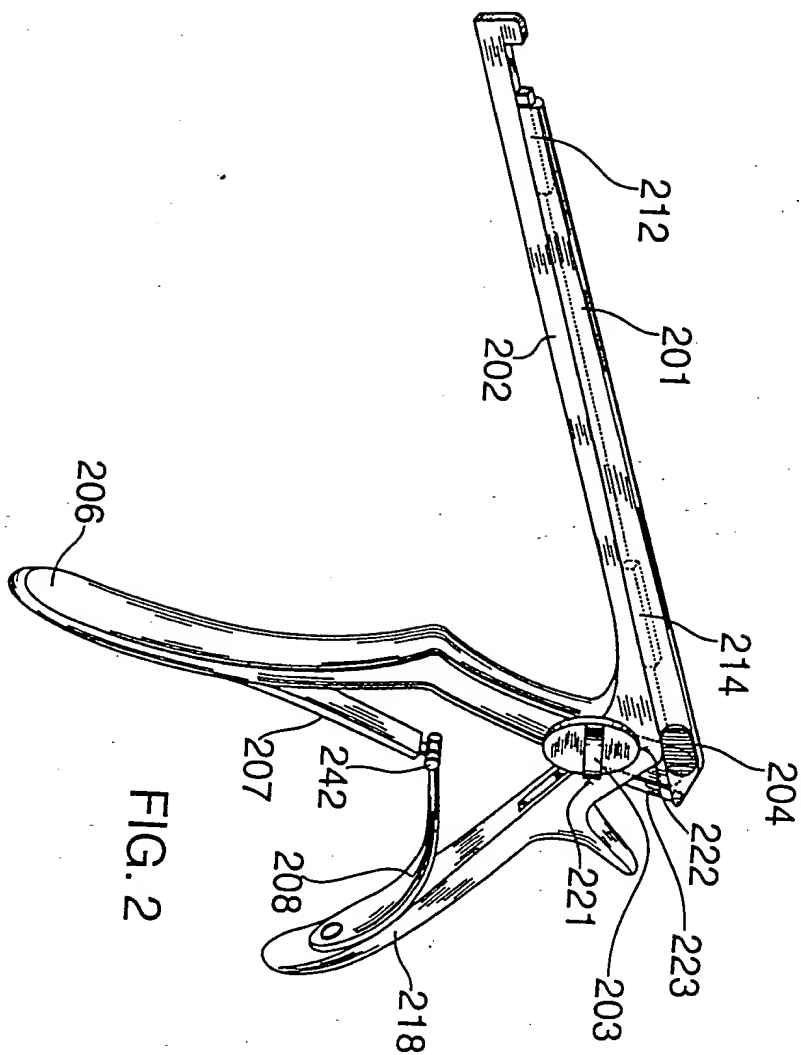


FIG. 2

APPROVED	O.E. FIG.
BY	CLASS/SUBCLASS
DRAFTSMAN	

09527018, 0927003

APPROVED	O.G. FIG.	CLASS. SUBCLASS	DRAFTSMAN
BY			

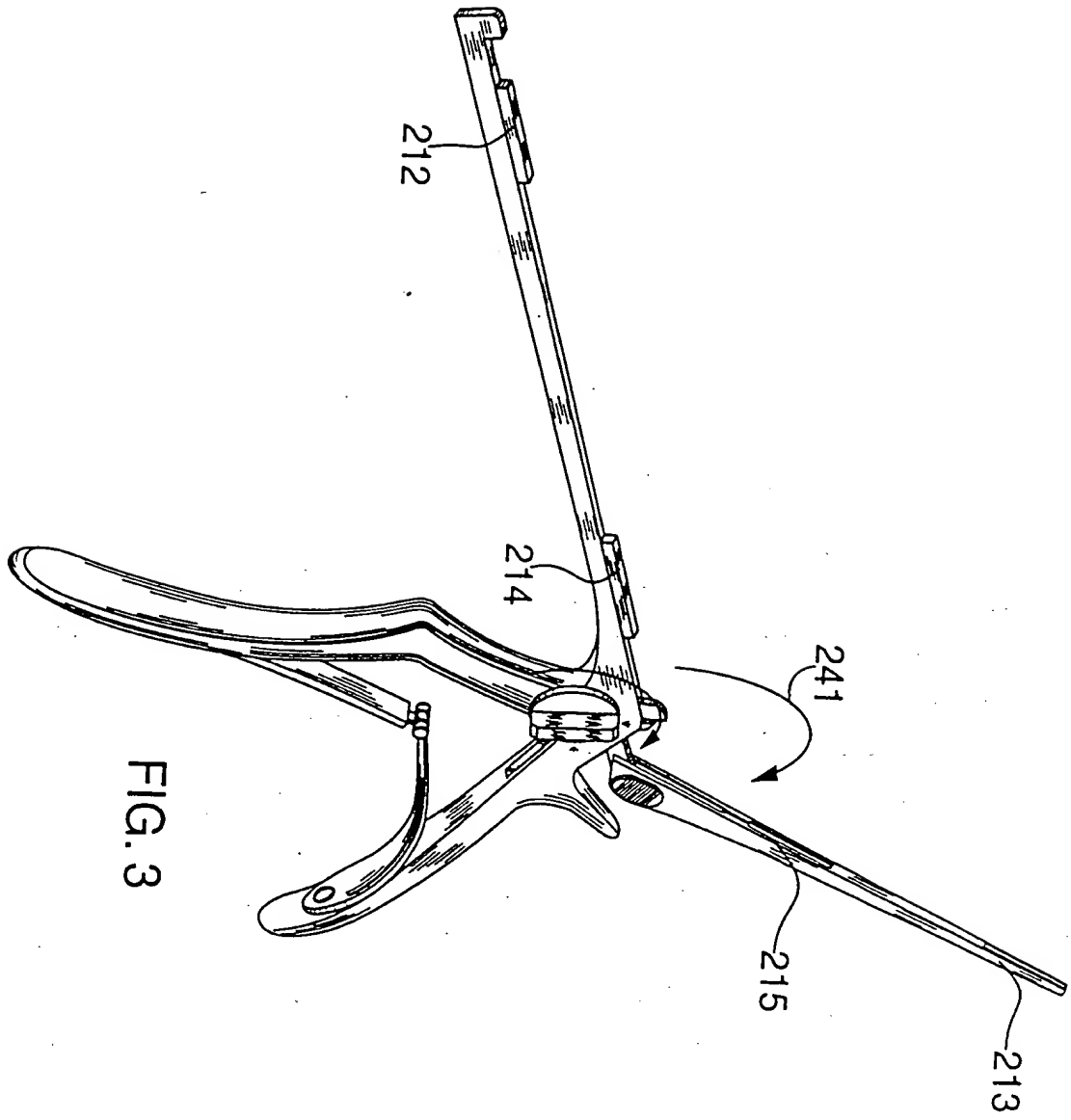


FIG. 3

09627048, 072709

4/9

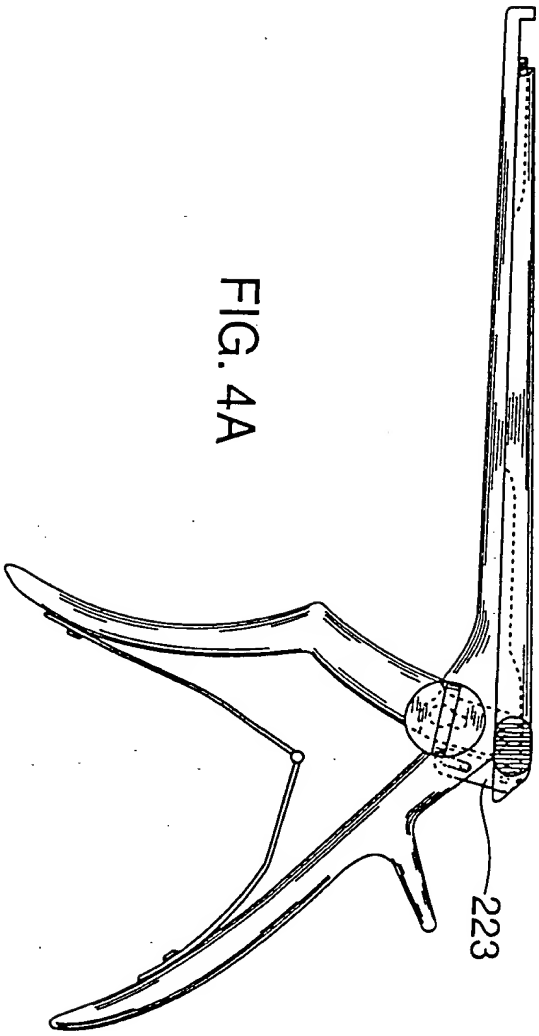


FIG. 4A

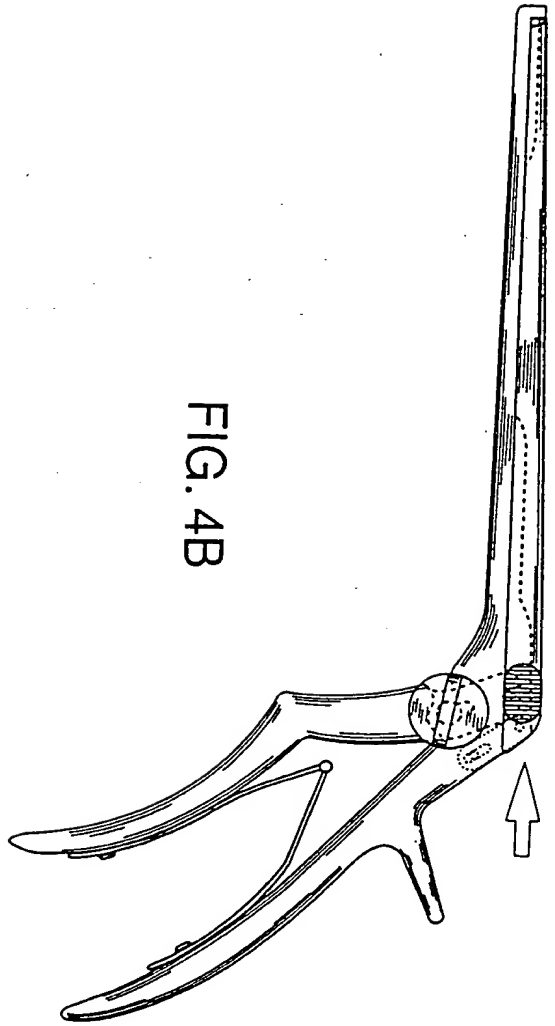


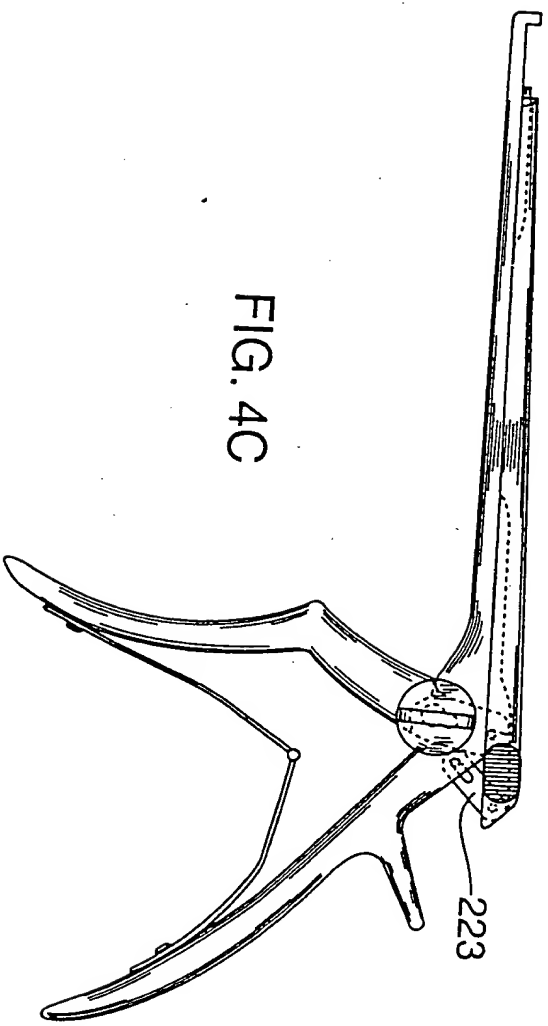
FIG. 4B

APPROVED	DATE	DRAFTSMAN
BY		
CLASS		

09627018 072709

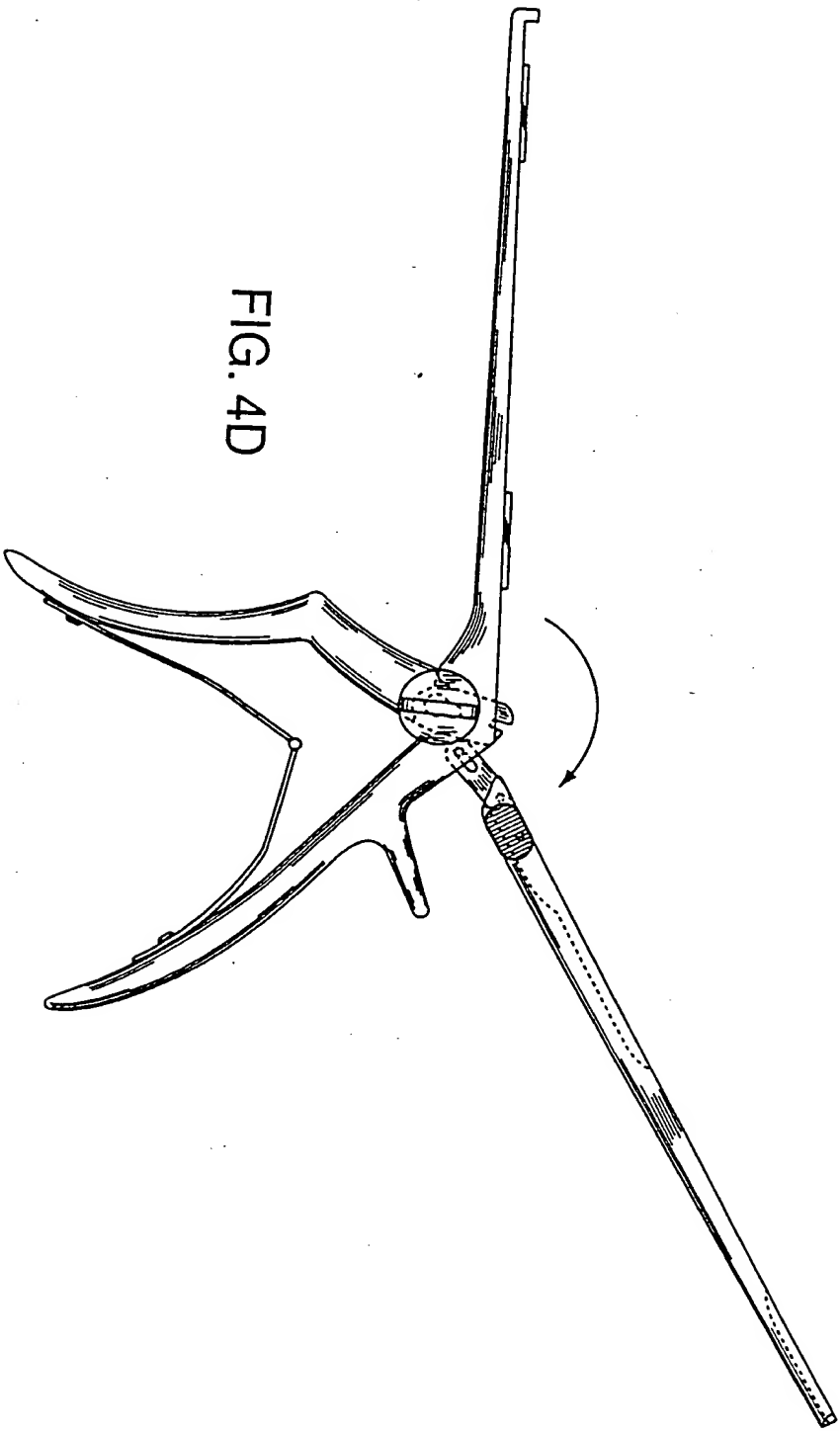
APPROVED BY: [ ]  
DRAFTSMAN: [ ]  
CLASS: [ ]

FIG. 4C



09622018 .072788

FIG. 4D



09627018 072700

APPROVED	BY	DRAFTSMAN

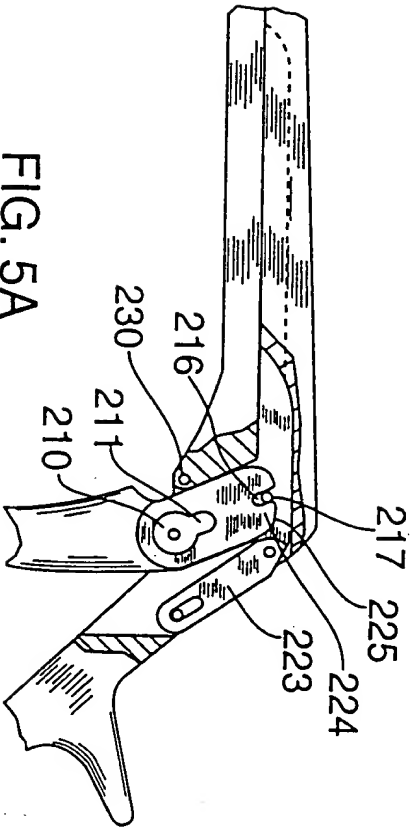


FIG. 5A

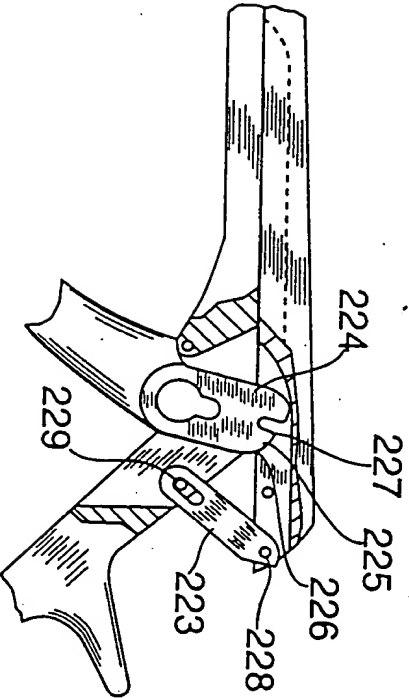


FIG. 5C

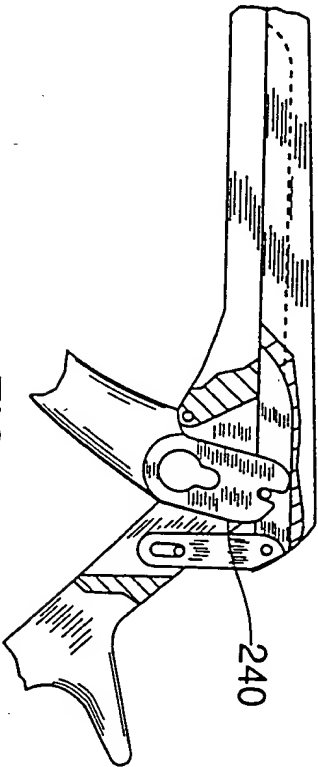
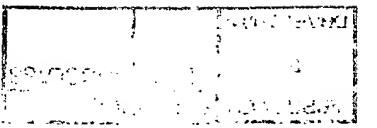


FIG. 5B



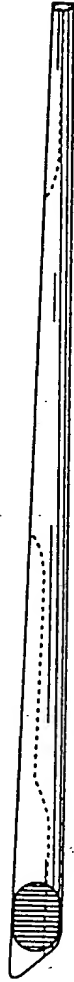


FIG. 6A

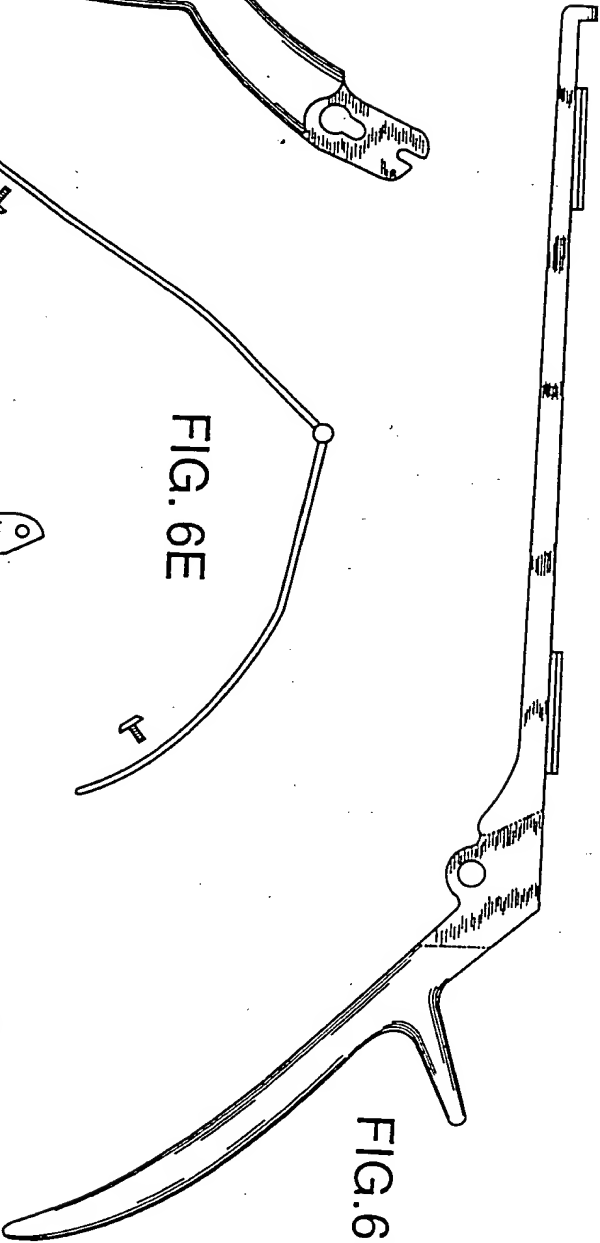


FIG. 6B

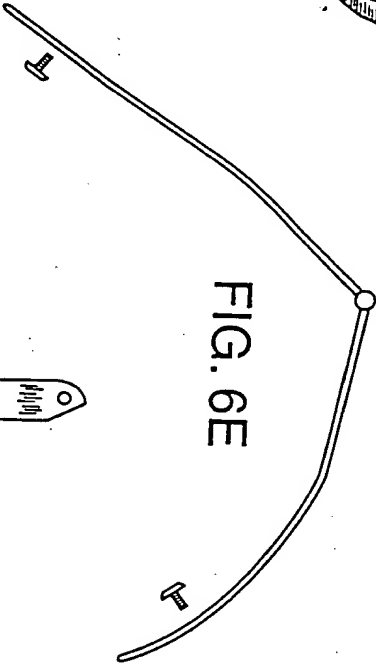


FIG. 6E

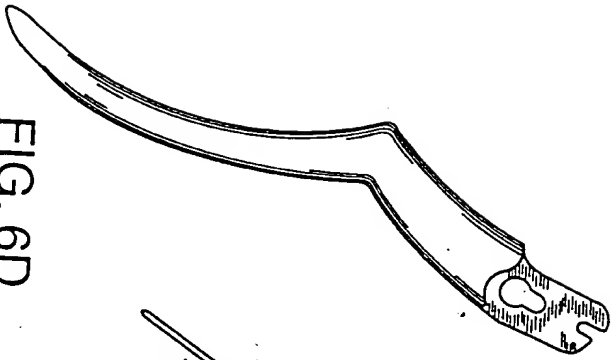


FIG. 6D

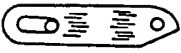


FIG. 6C

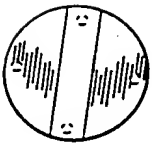
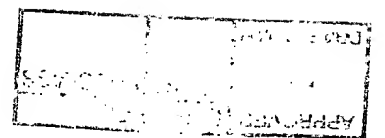


FIG. 6F





SCANNED

FIG. 9A

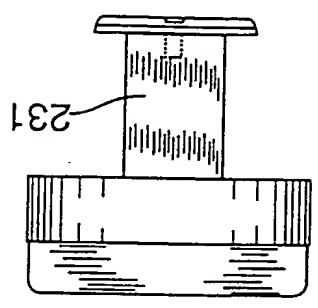


FIG. 9B

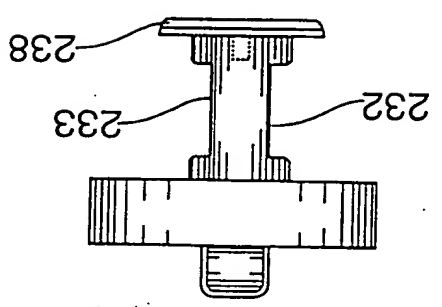


FIG. 8A

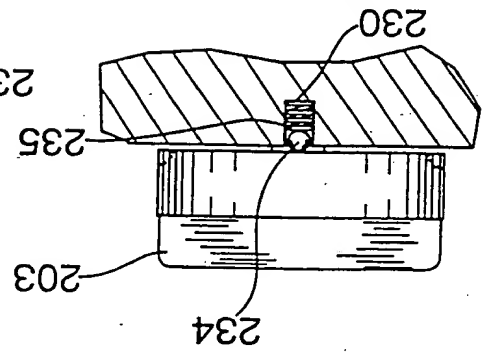


FIG. 8B

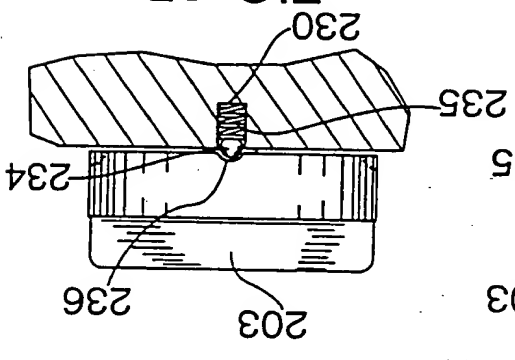


FIG. 7A

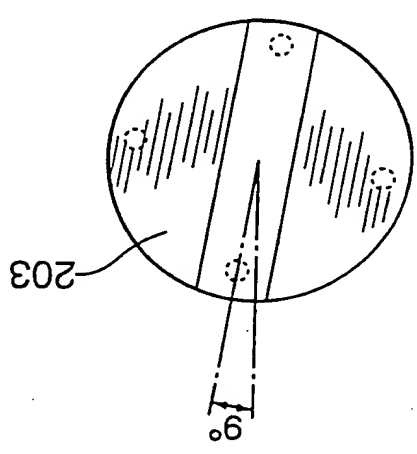
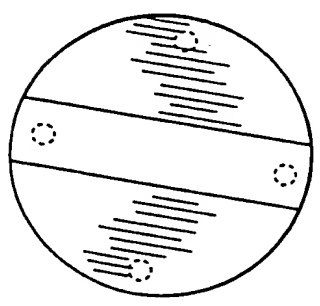


FIG. 7B



APPROVED	DATE	REVISION
BY	DATE	REVISION